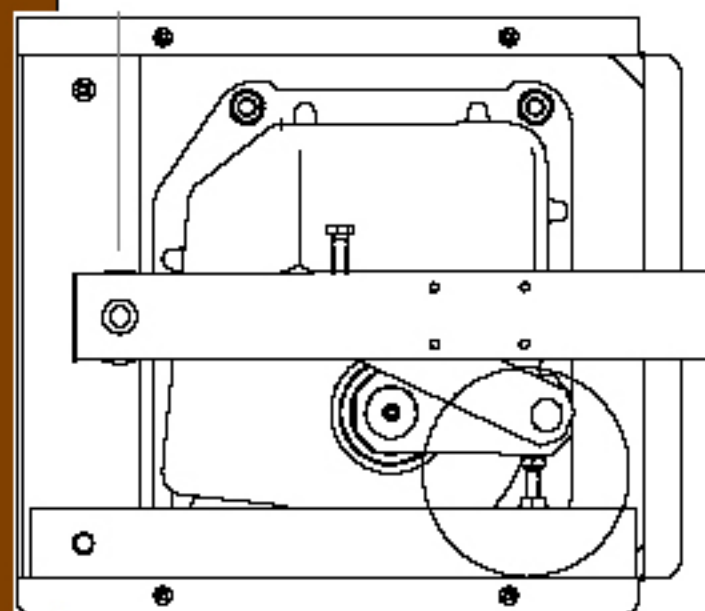


Fitting Topo on Pillar If hinge is less than 60mm

EXAMPLE

**IF top hinge is only 40mm long.....
Set foundation box 20mm into brick work**

Driveway



Pillar

**DO NOT SET IN
PILLAR MORE THAN
20mm**

Roadside