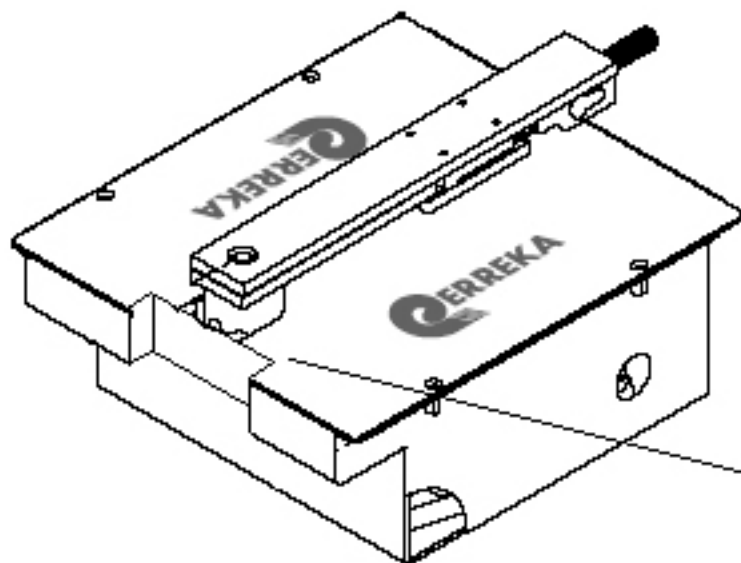
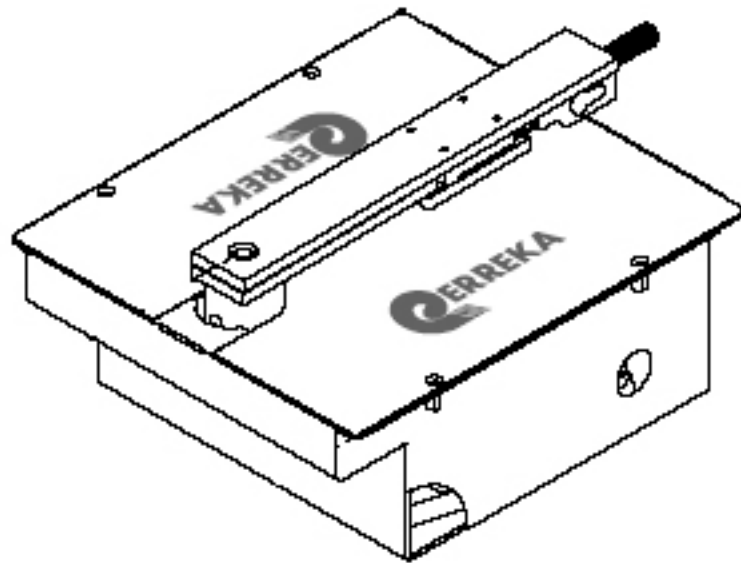


# Fitting Topo Motor to Steel Post With Short Hinges (Min 40mm)



Up to 20 mm can be cut from reaf of foundation box to accomodate a steel post. The foundation box is 4mm thick steel

