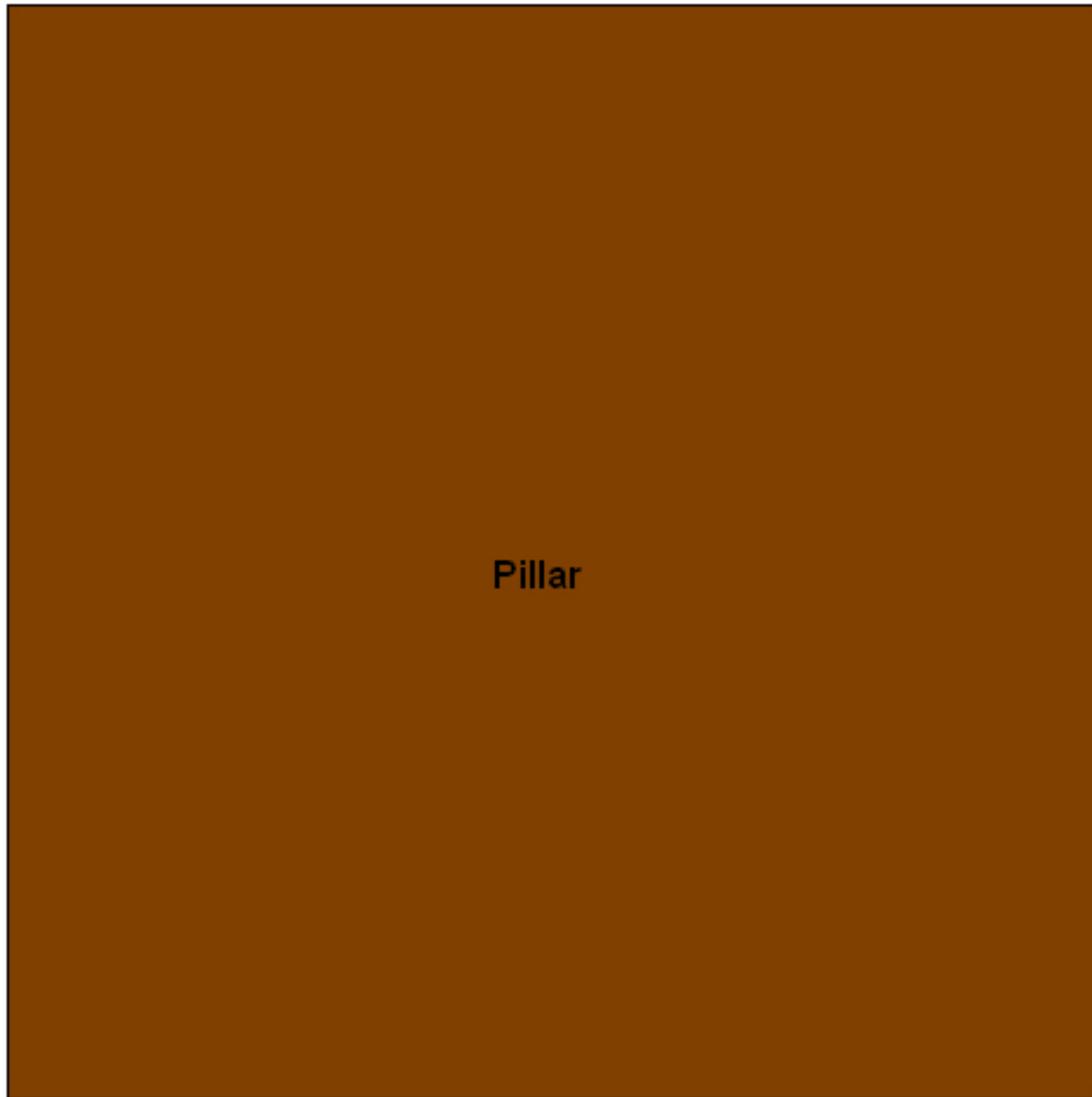
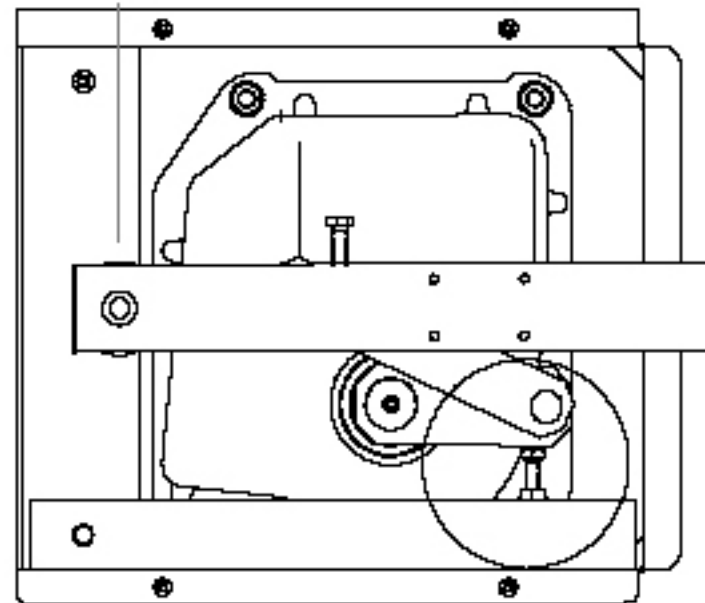


Fitting Topo on Pillar If hinge is more than 60mm



EXAMPLE

If top hinge is 80mm long set foundation box 20mm clear of pillar



Driveway

Roadside