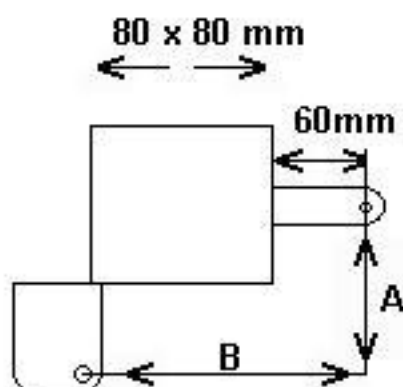


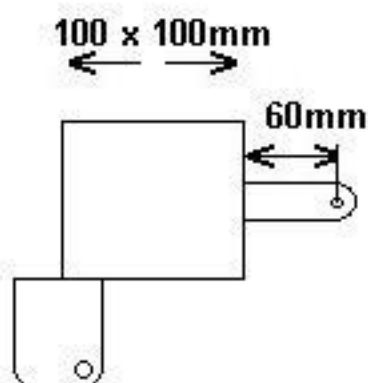
Example bracket placement BUL

A & B Dimensions are from centre of gate hinge to centre of motor pivot



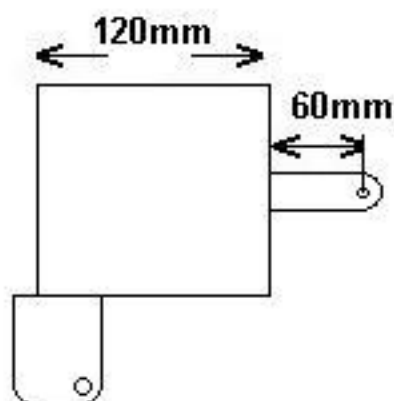
A=170mm B= 130mm

NB In B dimension bracket will overhang back of post by 75mm. Additional support required



A= 180mm B= 120mm

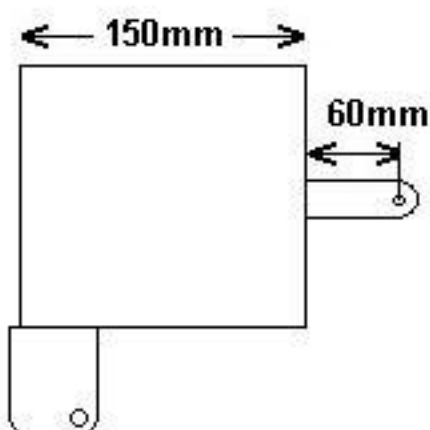
NB In B dimension bracket will overhang back of post by 45mm. Additional support required



A= 170mm B=130mm

NB In A dimension bracket will require cutting down by 20mm

In B dimension bracket will overhang back of post by 35mm. Additional support may be required



A= 170mm B= 130mm

NB In A dimension bracket needs cutting down by 35mm

In B dimension bracket will overhang back of post by 5mm.

ALL EXAMPLES ARE FOR 90 DEGREE OPENING

NOT TO SCALE- FOR GUIDANCE ONLY