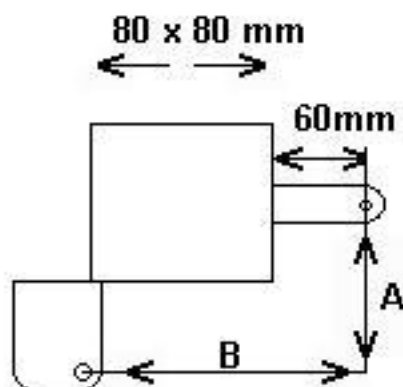
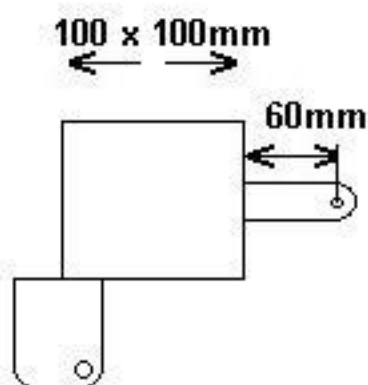


# Example bracket placement ARIES

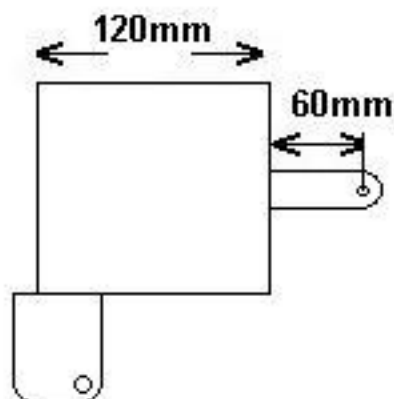
A & B Dimensions are from centre of gate hinge to centre of motor pivot



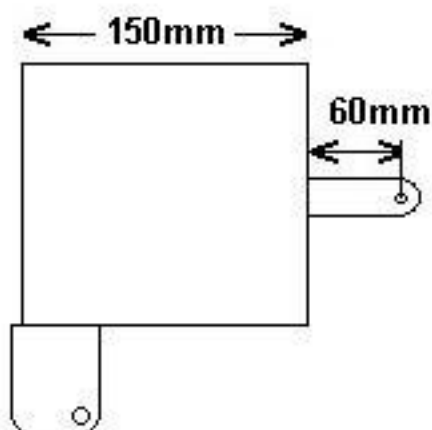
A= 145mm B= 145mm  
NB In B dimension bracket will overhang back of post by 85mm. Additional support required



A= 145mm B= 145mm  
NB In B dimension bracket will overhang back of post by 70mm. Additional support required



A= 145mm B= 145mm  
NB In A dimension bracket will require cutting down by 20mm  
In B dimension bracket will overhang back of post by 50mm. Additional support may be required



A= 145mm B= 145mm  
NB In A dimension bracket needs cutting down by 35mm  
In B dimension bracket will overhang back of post by 20mm

ALL EXAMPLES ARE FOR 90 DEGREE OPENING

NOT TO SCALE- FOR GUIDANCE ONLY